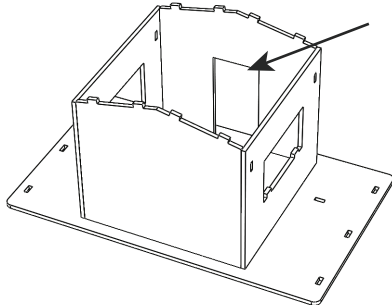
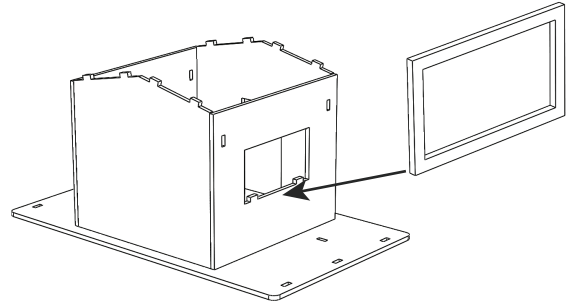


**INSTRUCTION MANUAL**

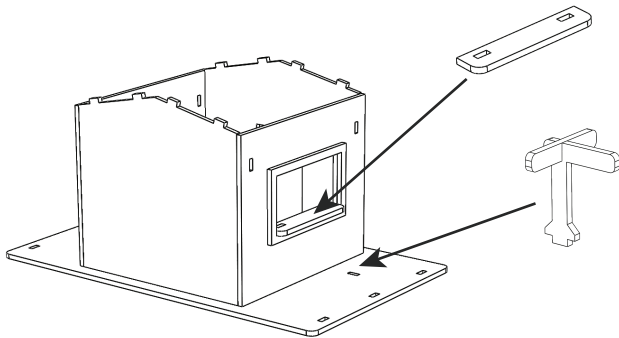
First, assemble the building without glue. Once everything has been checked, apply glue.



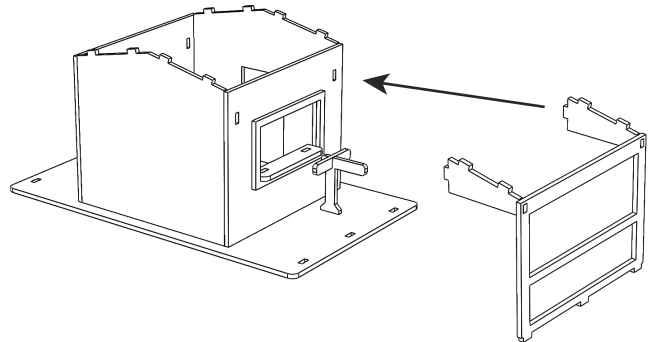
1. Mount the four main walls.



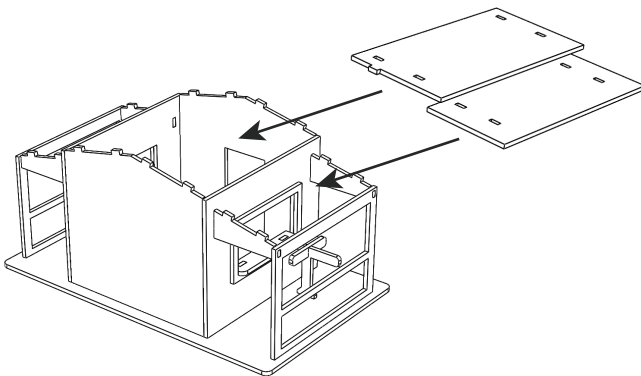
2. Add the window frames.



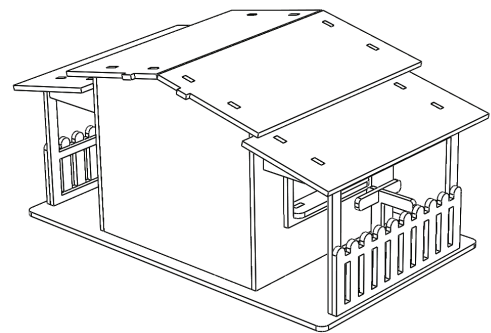
3. Place the armrests and the barrier.



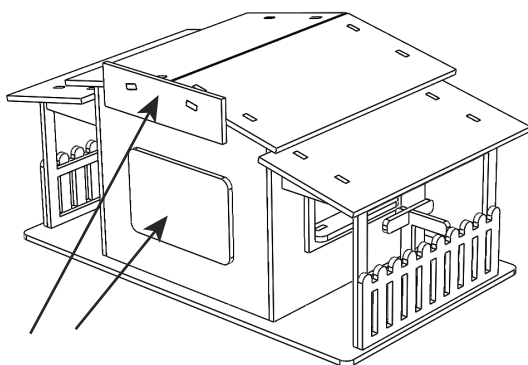
4. Add the lateral walls.



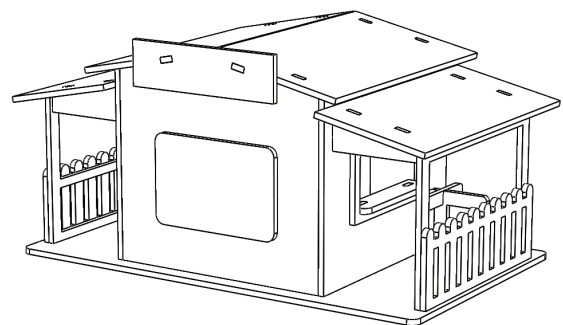
5. Place the roof modules.



6. Part after placing the roof modules.



7. Mount the wall and main billboards.



8. Congrats! You're done!